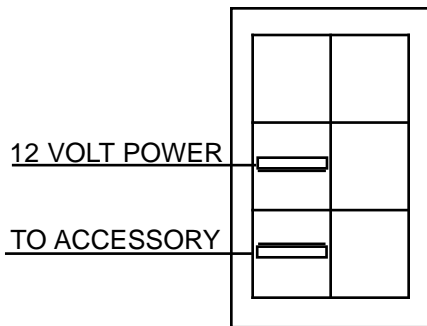




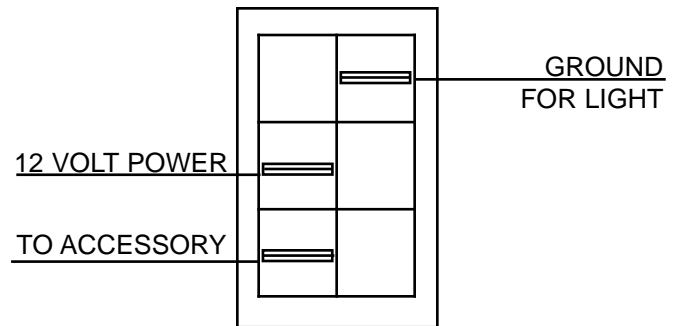
715 Center Street
Grayslake, IL 60030
Phone: (847) 752-2700
Fax: (847) 752-2415
email: info@livorsi.com
web site: www.livorsi.com

SINGLE POLE ROCKERS Installation Instructions

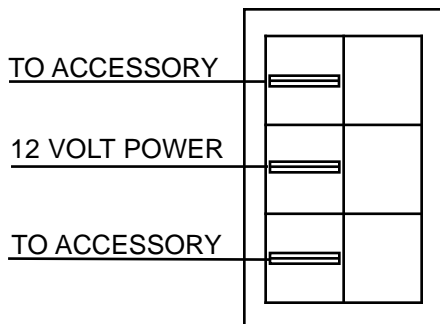
RSSMFW
RSSMFBK



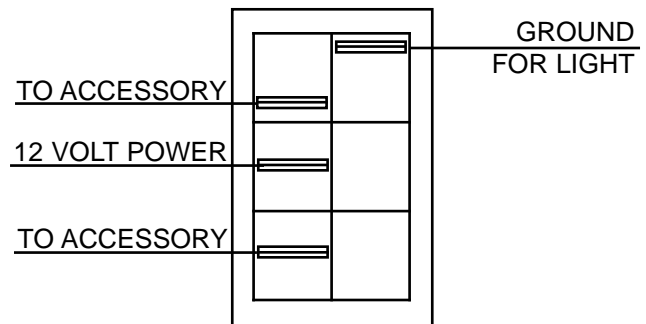
RSSNFLW
RSSNFLBK



RSSMFMW
RSSMFMBK

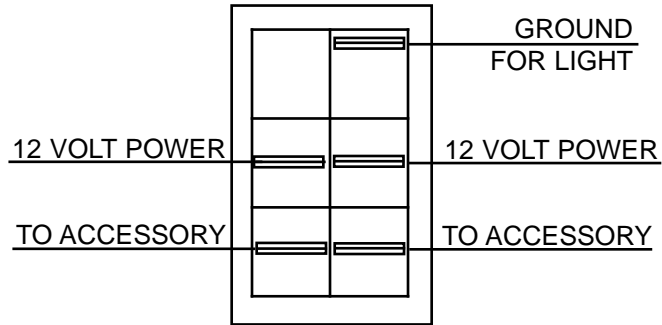


RSSNFNLW
RSSNFNLBK

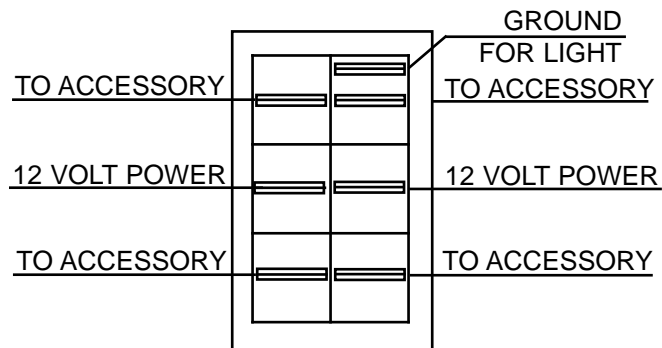


DOUBLE POLE ROCKERS

RSDNFLW
RSDNFLBK



RSDNFLW
RSDNFLBK



RSDMFMW

