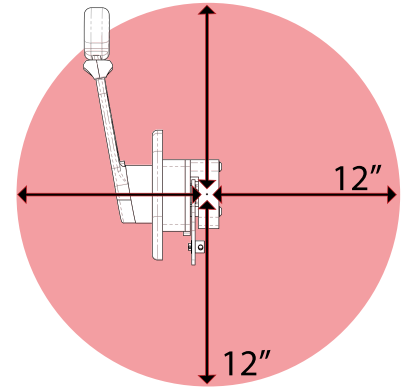
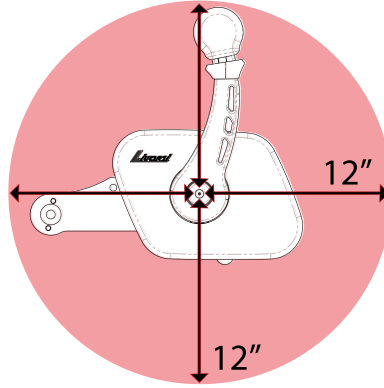
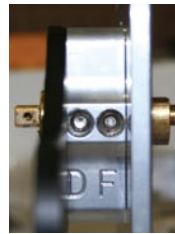


Electronic Throttle/ Cable Shift Control Installation Notes

Magnetic interference:
 No speakers or magnetic sources
 within 12 inches of control.

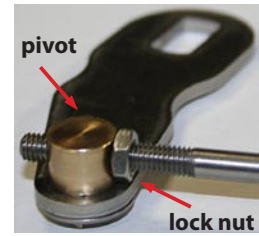
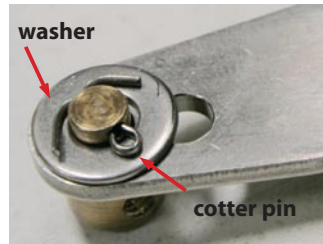


Detent and Friction Adjustability:
 It is not recommended to make changes to the
 factory settings, although if adjustments are made,
 place the lever in Wide Open Throttle prior to any
 adjustments. Adjust in 1/4 turn increments.

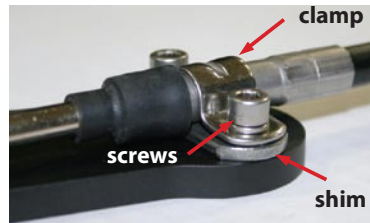


Small Parts Bag

Cable end
 washer, cotter, pinlock nut, pivot



Cable clamp
 clamp, shim, 2x screws



Attach bezel with the set screw.



Throttle Connector

