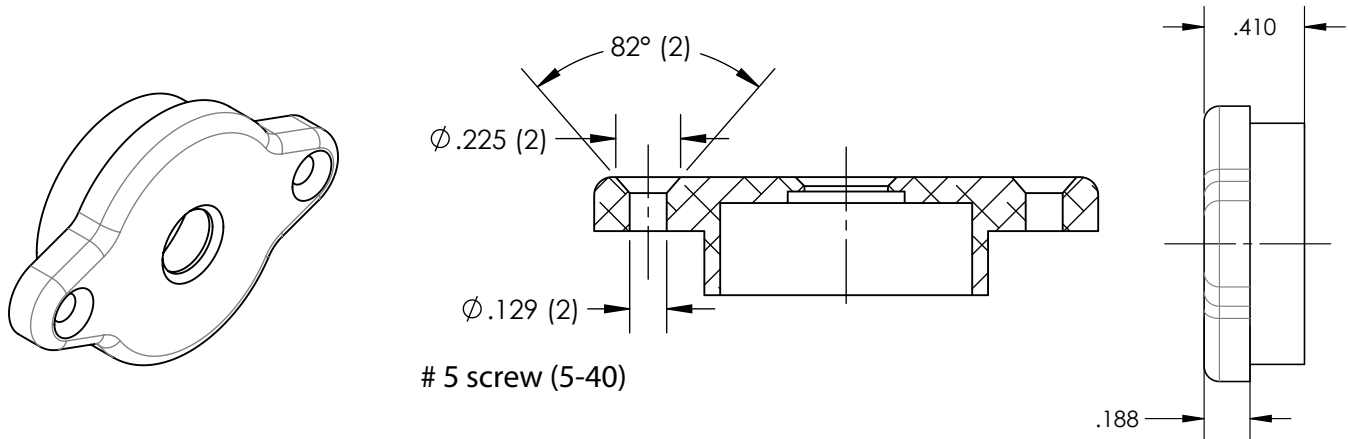




715 Center Street Grayslake IL 60030
P: 847.752.2700 F: 847.752.2415
www.livorsi.com info@livorsi.com

Model Numbers: LEDG, LEDR, LEDW
Flange Mount LED Light



Installation Template

