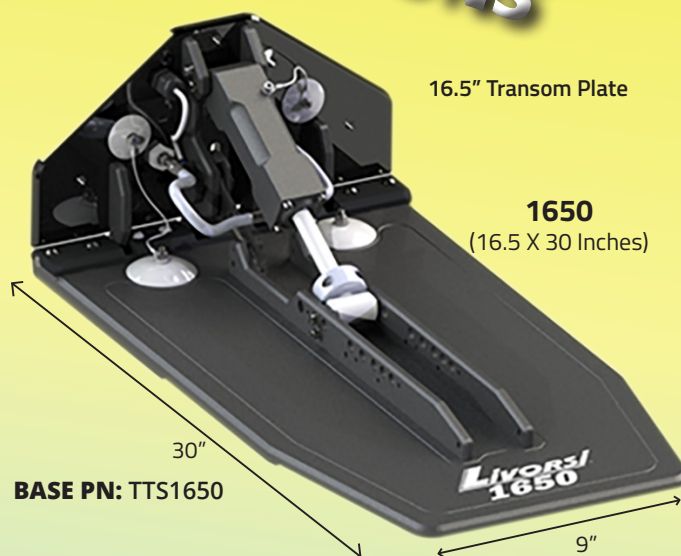
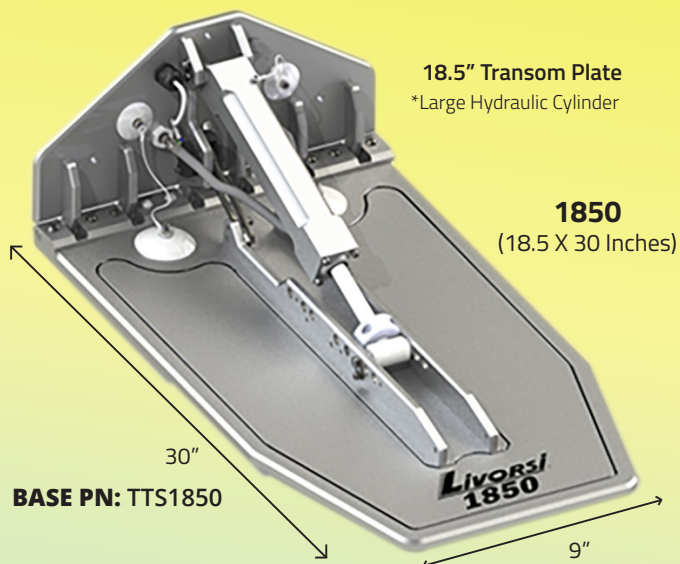


Mega Tabs

**2 CYLINDER
OPTIONS**



****Optional Bengal Silver**
****Optional 4, 6, 10" Underwater Lighting can be added**

MEGA TABS

Part Numbers		
TTS1650	16.5 X 30	1650 Trim Kit
TTS1850	18.5 X 30	1850 Trim Kit

****Includes 1 Parker Pump, 1 Trim Tab & Mounting Hardware**

HOSES

Inverted Flare Ends	
SSBH30IN-1	30 inches
SSBH36IN-1	36 inches
SSBH48IN-1	48 inches
SSBH60IN-1	60 inches
SSBH60IN-1	72 inches
SSBH90IN-1	90 inches
SSBH19FT-1	19 feet
SSBH21FT-1	21 feet

****Add 4, 6, or 10" Underwater Lighting**
Call for Pricing: 847-752-2700

FEATURES:

- Models are available for Catamaran Tunnel Tabs, Heavy Cruisers, Performance Boats, Workboats & Military Boats.
- Hydraulic cylinders are designed for 1500 PSI working pressure with dual seals.
- Electronic 5V sender can read position on Livorsi LED Indicator or NMEA2000 devices with gateway.
- Choose between standard length cylinder or longer cylinder.
- Available with optional 4", 6" or 10" LED lights in white, blue, red, green or RGB
- Tabs are CNC machined from billet aluminum, no casting
- Tabs are Mil-Spec hard coat anodized to prevent corrosion
- Five anodes for complete saltwater protection
- All hinge pins and hardware are stainless steel
- Adjust transom angles without the use of special tools

FEATURES:

- *Contains Parker Hydraulic Pumps, 1 Tab, & Mounting Hardware*
- *Helps boats plane out quickly*
- *Significantly limits bow rise*
- *The built-in electronic position sensor is compatible with most N2K displays & Livorsi LED Indicator*
- *Made with billet aluminum, anodized & painted construction*
- *100% made in the USA*

Tunnel Tabs
for Catamarans
&
Large Heavy Boats



Mega Tab Installed
on Catamaran

