



715 Center Street
 Grayslake IL 60030
 P: 847-752-2700
 F: 847-752-2415
 E: info@livorsi.com

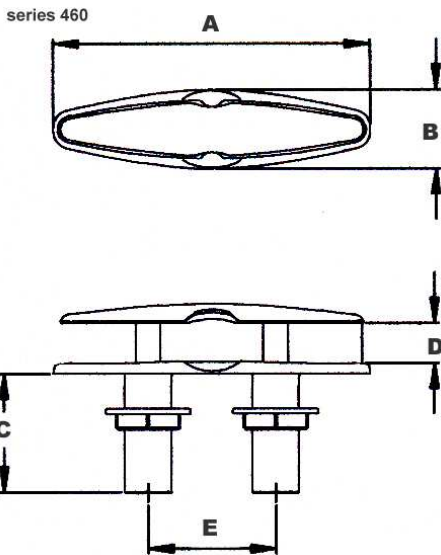
Pull-Up Cleats

Livorsi model #'s: PUC4, PUC6 and PUC8



Installation

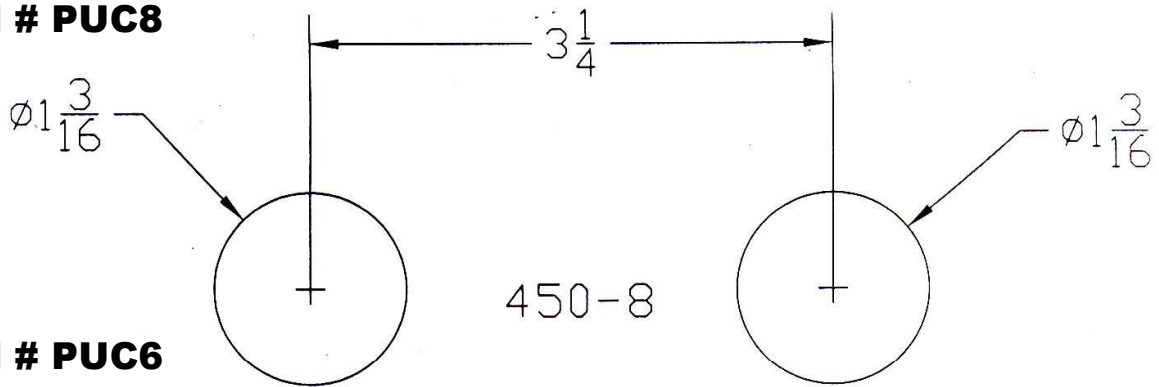
1. Drill (2) holes in deck as specified by the template provided.
2. Install external tooth lock washer (smooth side up) against the deck. The sharp edge should grab the nut flange and dig in.
3. A thread lock product such as Loctite™ or similar product will insure that the nuts will not loosen.



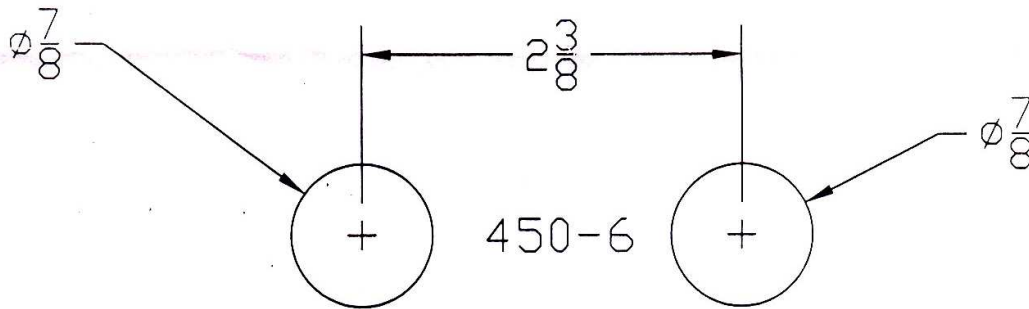
Pull- Up Cleat Specs			
Part #	PUC4	PUC6	PUC8
Size	4 1/2"	6"	8"
Weight	.8 lbs	1.2 lbs	2.56lbs
A- Length	4.5"	6"	8"
B- Width	1.15"	1.5"	2"
C- Depth	2.0"	2.3"	3.1"
D- Clearance	.75"	1.0"	1.25"
E- Leg Distance	1.8"	2.4"	3.2"
Hole Size	3/4"	7/8"	1"
Max Line Size	1/2" diam.	3/4" diam.	1" diam.
Thread Size	3/4-16	7/8-14	1 1/2-14

CUTOUT TEMPLATE

Model # PUC8



Model # PUC6



Model # PUC4

