

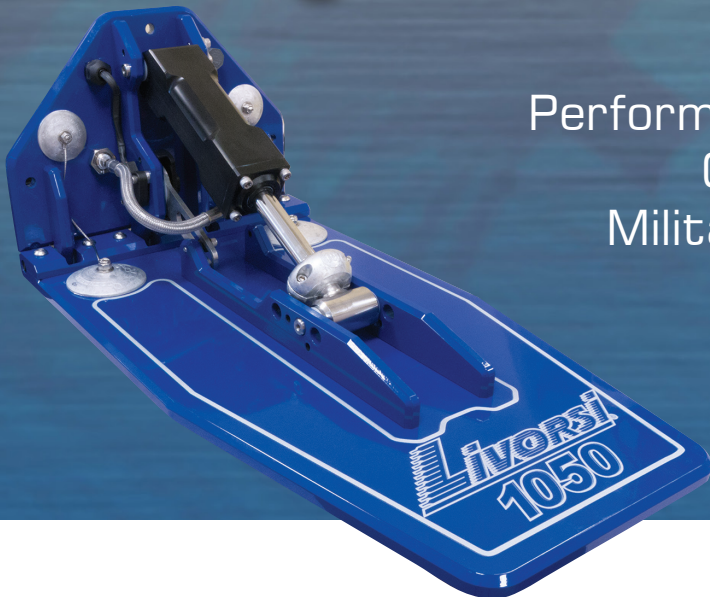
# Hydraulic Billet Trim Tabs

## LED LIGHTS

now on Trim Tabs  
\*page 2

Electronic or Mechanical Trim Indication

Private label and powder coat finish available



Performance Boats • Center Consoles  
Cruisers • Work Boats  
Military and Government Boats

**LIVORSI**  
CompX Marine Inc. • [livorsi.com](http://livorsi.com)

847-752-2700  
[sales@livorsi.com](mailto:sales@livorsi.com)  
[www.livorsi.com](http://www.livorsi.com)

# Livorsi Billet Trim Tabs with Hydraulic Cylinders

## Now available with:

- LED Underwater Lights
- Powder coat finish
- Custom logos

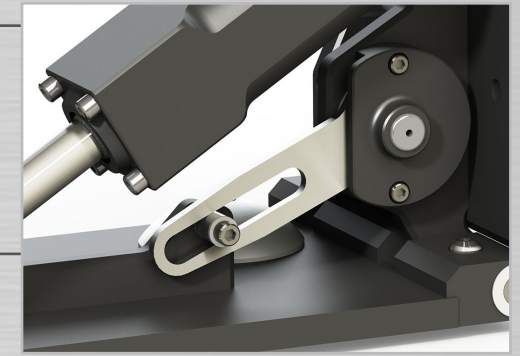


Mounting the LED underwater light directly on the trim tab makes installation of underwater lighting much easier.

Wiring is routed through the tab transom plate for a clean installation.

- Electronic IP68 sensor plugs directly to Livorsi's LED Position Indicator

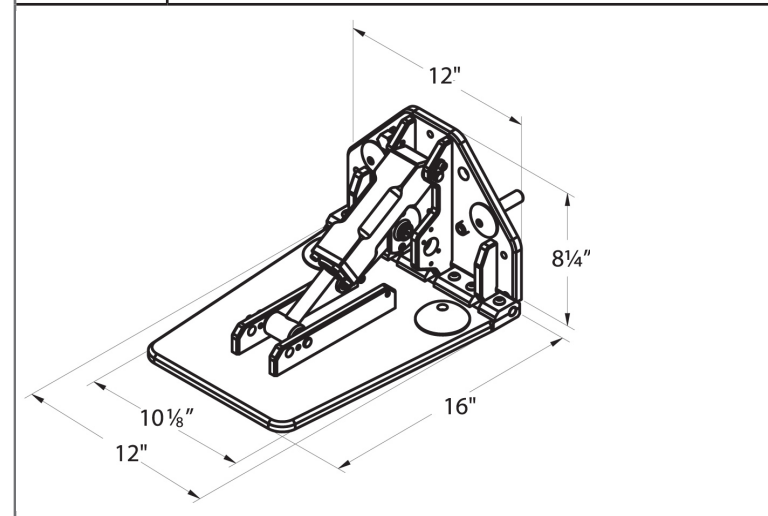
Compatible with NMEA 2000® compliant systems or Mercury VesselView®



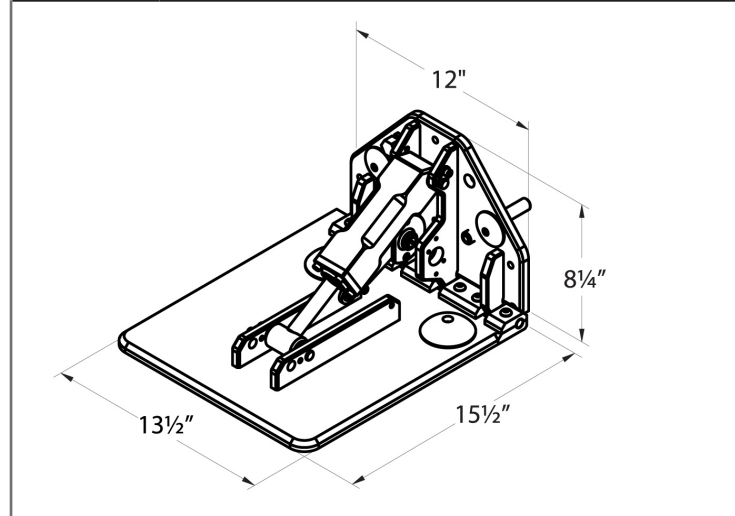
## Features

- Available in 11 powder coat colors
- Available with private labeling
- Available with 4" or 6" lights in white, blue, red, or green.
- Models are available for performance boats, center consoles, run-abouts, cruisers, workboats and military boats
- For use on boats 20 – 50 feet
- Tabs are CNC machined from billet aluminum, no casting
- Tabs are Mil-Spec hard coat anodized to prevent corrosion
- Five anodes for complete saltwater protection
- All hinge pins and hardware are stainless steel
- Adjust transom angles without the use of special tools
- Bolt patterns include Mercury or a smaller Livorsi bolt pattern for center consoles
- Hydraulic cylinders designed for 1500 PSI working pressure with dual seals, cylinders may be serviced
- Choose between plug and play LED electronic position indicators or mechanical position indicators (uses 33C cables)
- Stainless steel braided hoses are purchased separately, see back page

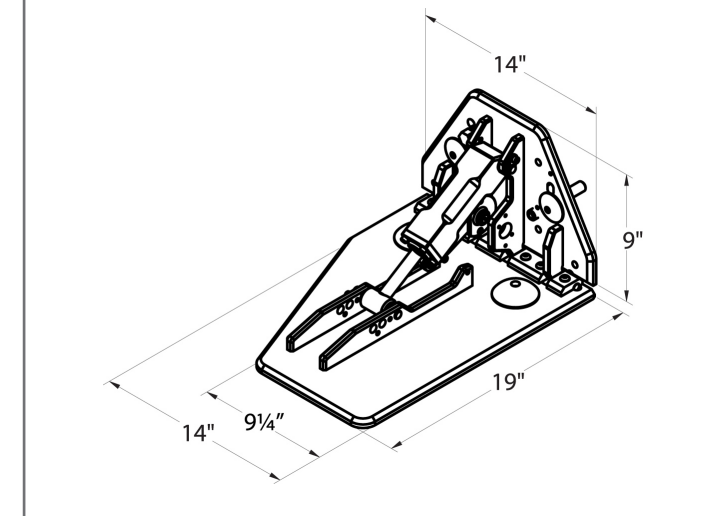
750 Performance Kits	
TTK750ML	Mechanical cable Livorsi Transom Plate 16X10"
TTK750MM	Mechanical cable Merc Transom Plate 16X10"
TTK750EL	Electric Trim Livorsi Transom Plate 16X10"
TTK750EM	Electric Trim Merc Transom Plate 16X10"



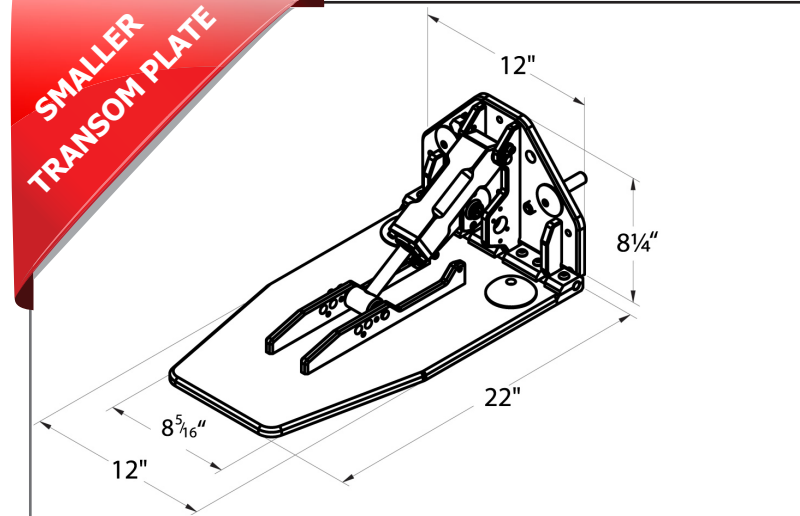
850 Military Kits	
TTK850ML	Mechanical cable Livorsi Transom Plate 16X14"
TTK850EL	Electric Trim Livorsi Transom Plate 16X14"



950 Mercury Replacement Kits for 280S	
TTK950ML	Mechanical cable Livorsi Transom Plate 20X9"
TTK950MM	Mechanical cable Merc Transom Plate 20X9"
TTK950EL	Electric Trim Livorsi Transom Plate 20X9"
TTK950EM	Electric Trim Merc Transom Plate 20X9"



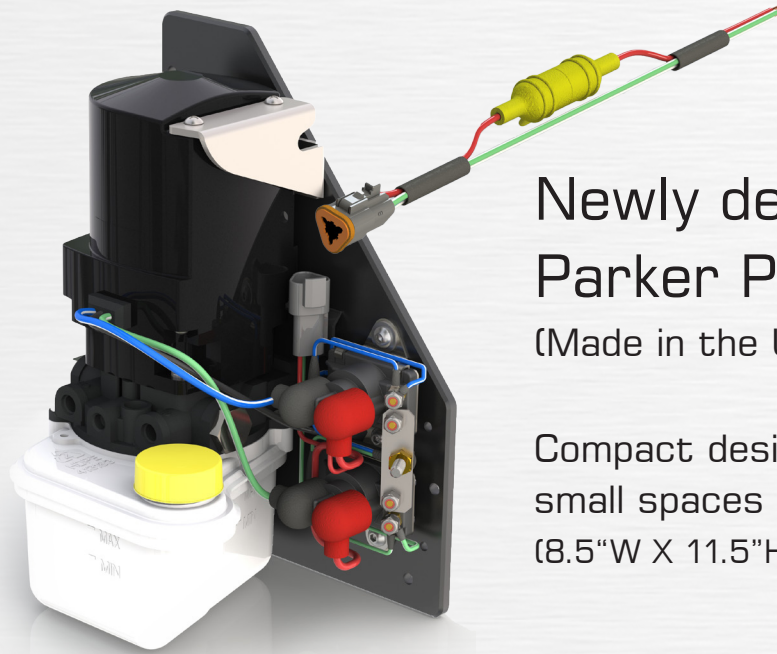
1050 Performance Kits	
TTK1050ML	Mechanical cable Livorsi Transom Plate 22X10"
TTK1050MM	Mechanical cable Merc Transom Plate 22X10"
TTK1050EL	Electric Trim Livorsi Transom Plate 22X10"
TTK1050EM	Electric Trim Merc Transom Plate 22X10"



NOTE: Add "24" at end of any of these part numbers listed to order trim tabs to be used on 24V systems.

## Trim Tab Kits include:

- Two billet tabs
- Two pumps
- Mounting hardware
- Plug in Harnesses  
(shown in image)
- Thru hull fittings

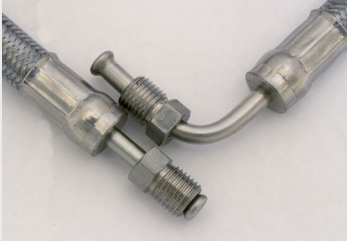


Newly designed  
Parker Pumps  
(Made in the U.S.A.)

Compact design to fit  
small spaces  
(8.5"W X 11.5"H)

## Stainless steel braided hoses

Hoses are purchased separately. Four hoses are needed for one kit, two per cylinder.



Inverted Flare Ends	
30 inches	SSBH30IN-1
36 inches	SSBH36IN-1
48 inches	SSBH48IN-1
60 inches	SSBH60IN-1
72 inches	SSBH72IN-1
90 inches	SSBH90IN-1
19 feet	SSBH19FT-1
21 feet	SSBH21FT-1
26 feet	SSBH26FT-1



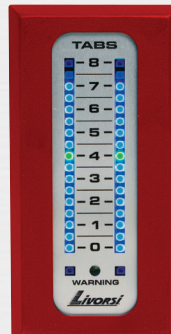
SAE J514 37° Flare Ends	
30 inches	SSBH30IN
34 inches	SSBH34IN
60 inches	SSBH60IN
90 inches	SSBH90IN
19 feet	SSBH19FT
21 feet	SSBH21FT
26 feet	SSBH26FT

## Position Indicators



### Mechanical

Reads position of trim tabs with the use of 33C cables.



### Electronic

Reads position of trim tabs with the use of electronic sensors.

These indicators are capable of reading CAN Bus protocols such as SmartCraft® (with Gateway), NMEA 2000® and analog or resistive sensors.