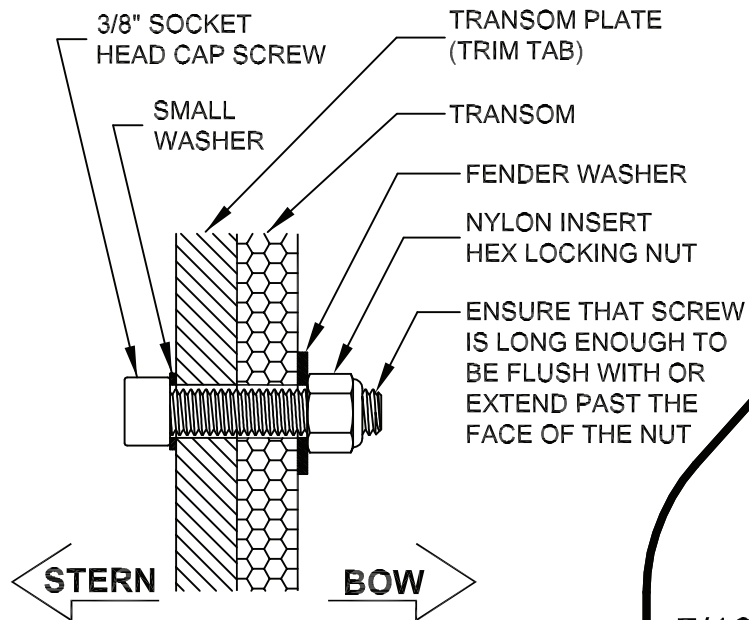




Livorsi Transom Plate
Livorsi Bolt Pattern
Scale 1:1
Rev A

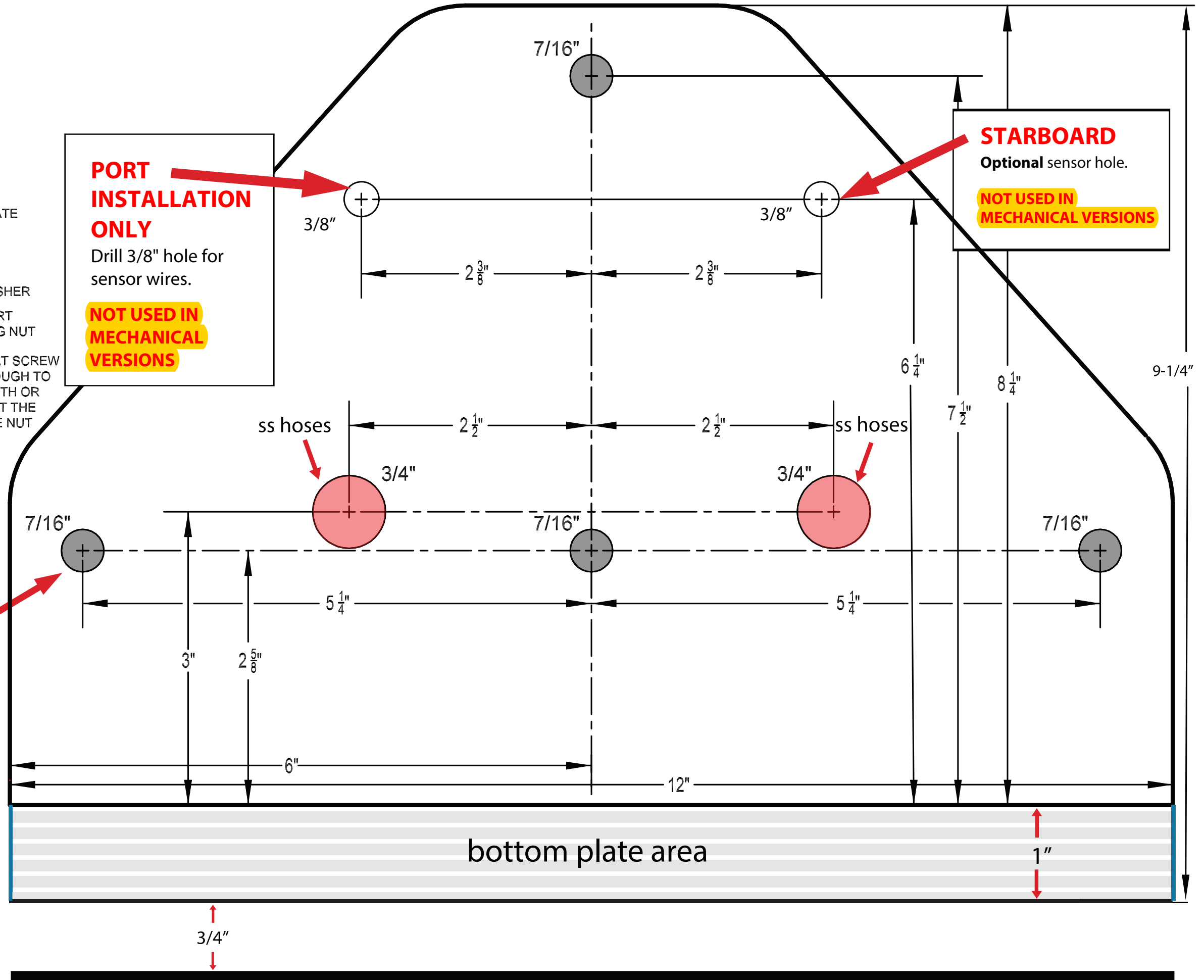


TYPICAL FASTENER INSTALLATION

Ø .390 THRU ALL (X4)
Thru Bolts

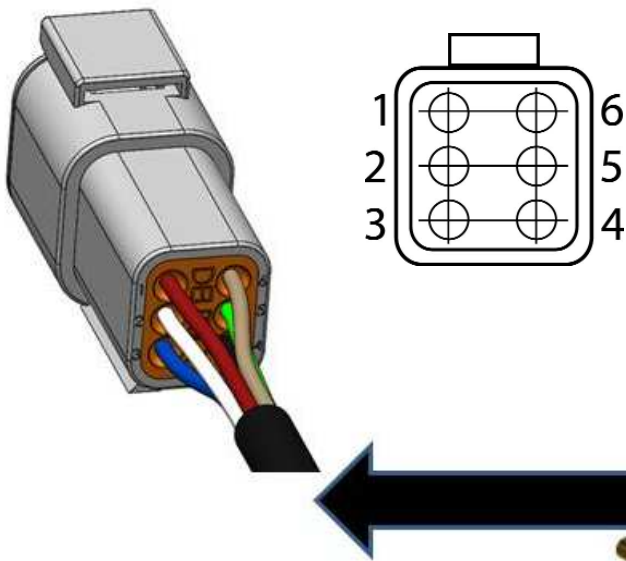
PORT INSTALLATION ONLY
Drill 3/8" hole for sensor wires.
NOT USED IN MECHANICAL VERSIONS

STARBOARD
Optional sensor hole.
NOT USED IN MECHANICAL VERSIONS



TTKEL Models 6 Pin Deutsch Wiring

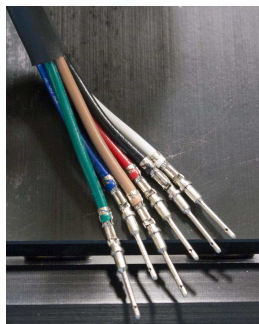
Model Numbers: TTK1050EL, TTK850EL, TTK950EL, TTK750EL



Pin Number	Wire Color	Description
1	Red	PPS1 (5V)
2	White	PPS2 (5V)
3	Blue	PPS1 Signal
4	Black	PPS1 Ground
5	Green	PPS2 Ground
6	Tan	PPS2 Signal



connector wedge lock



sensor wires
 from trim tab

