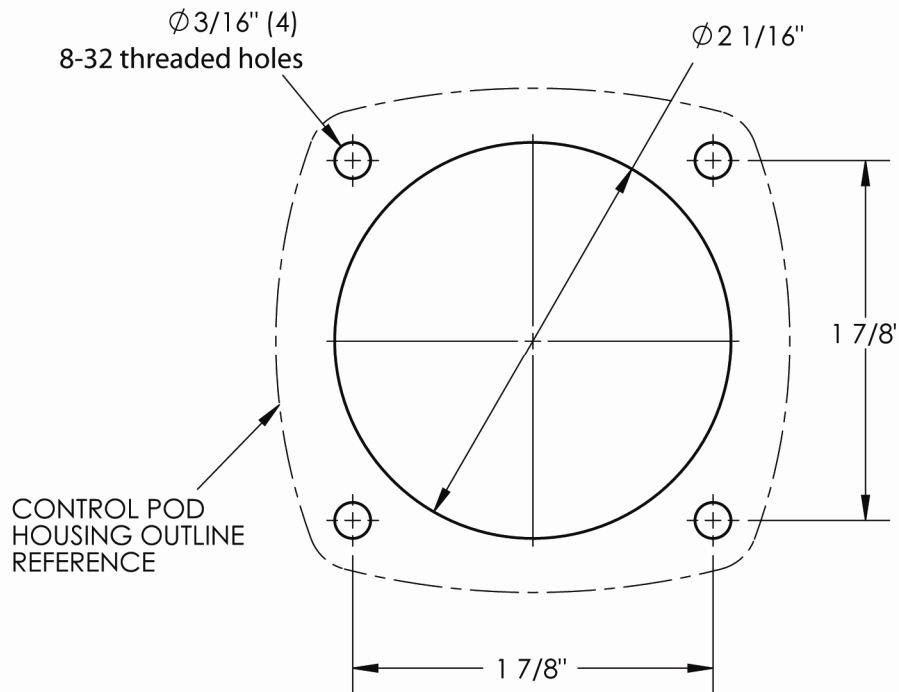


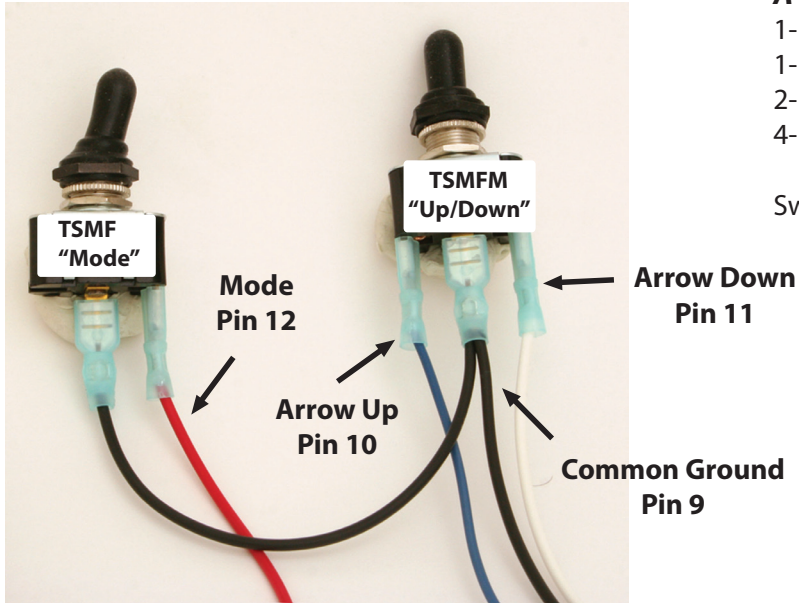
## Vantage View Control Pod Template

### IMPORTANT:

When printing this template make sure to disable any page scaling options in your print dialog box.



Vantage View® Switch Assembly Instructions  
 Model #: VVSAW



**A complete assembly consists of:**

- 1- TSMF- Mode momentary switch
- 1- TSMFM- UP/Down momentary switch
- 2- TSRBBK- black switch boot
- 4- DCC- contacts for easy plug in connections

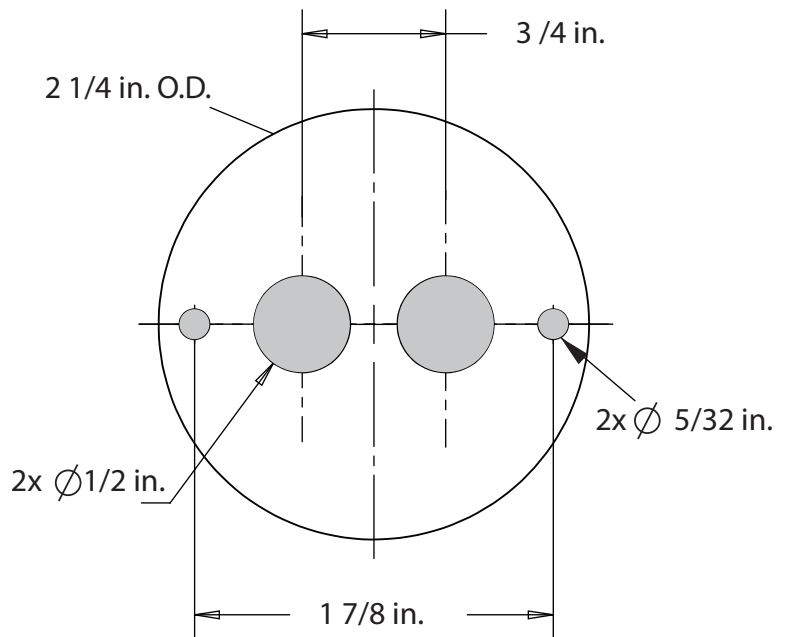
Switches require a 1/2 inch cutout.

Please note : Wire colors may vary

Switch Plate- sold separately  
 Model# PSSP + color



Colors available:



To use this as a drill template, be sure to disable any page scaling properties in the print dialog box.