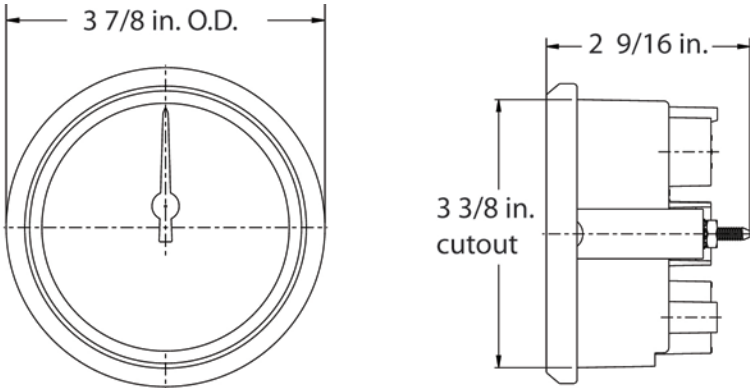
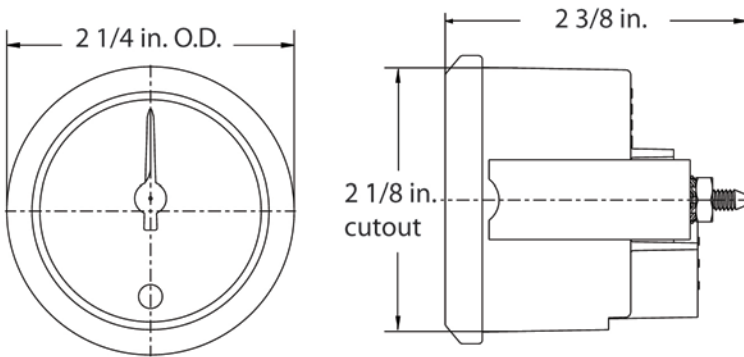


Gauge Dimensions

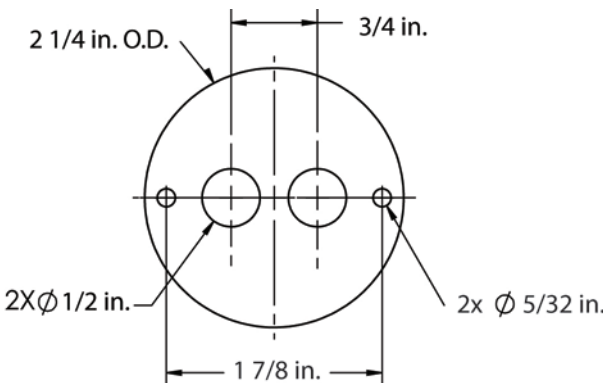
• Master Tach, Speedometer and Four Function Slave Gauge - Standard Size



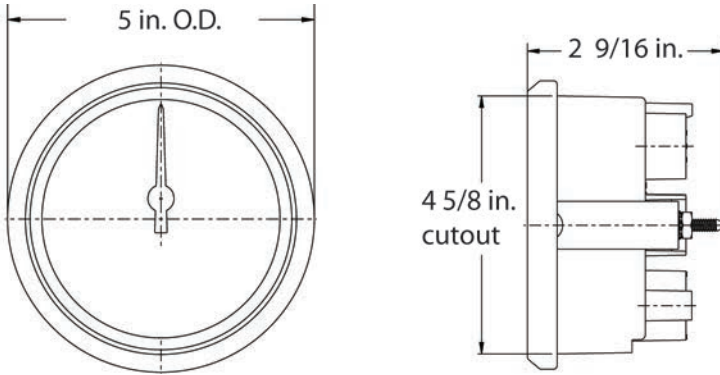
• Slave Gauges or FWA- Standard Size



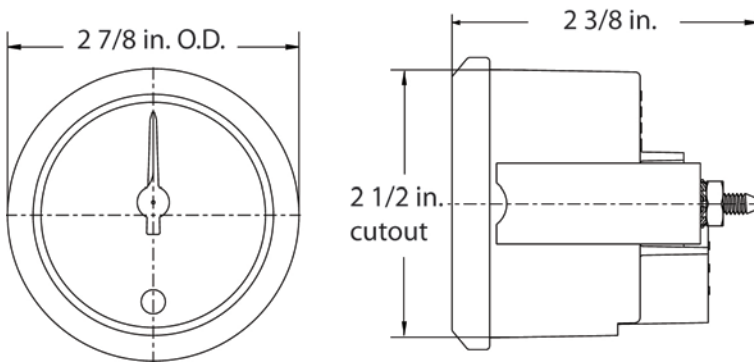
• VV Saw Assembly Switch Plate- Single Engine



• Master Tach, Speedometer or Four Function Gauge- Over Sized



• Slave Gauges- Over Size



• Control Pods - Single and Multiple Engine

