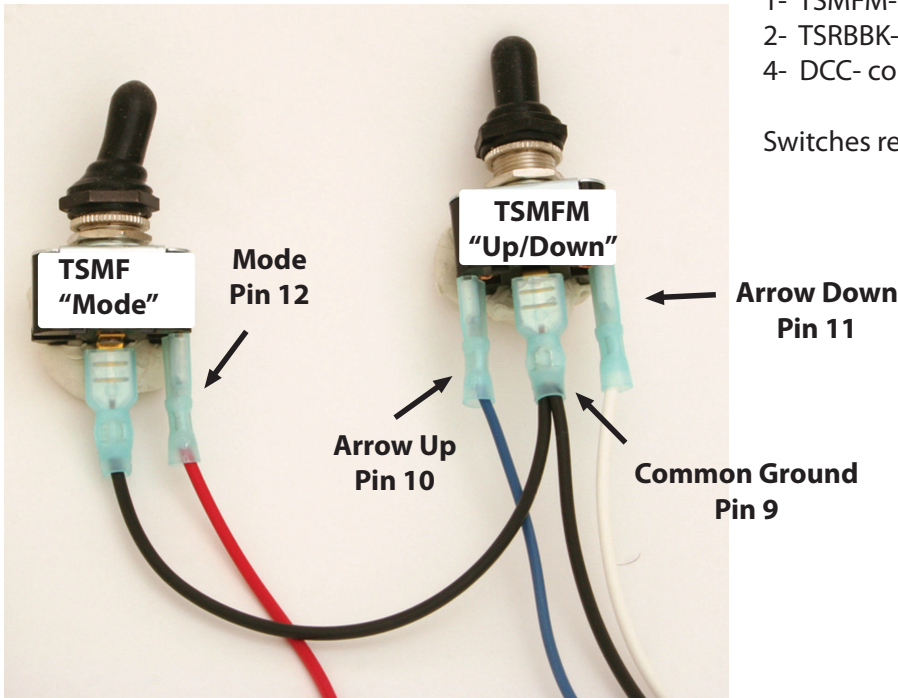


Vantage View® Switch Assembly Instructions Model #: VVSAW

A complete assembly consists of:

- 1- TSMF- Mode momentary switch
- 1- TSMFM- UP/Down momentary switch
- 2- TSRBBK- black switch boot
- 4- DCC- contacts for easy plug in connections

Switches require a 1/2 inch cutout.



Please note : Wire colors may vary

Switch Plate sold separately
 Model# PSSP + color



Colors available:

