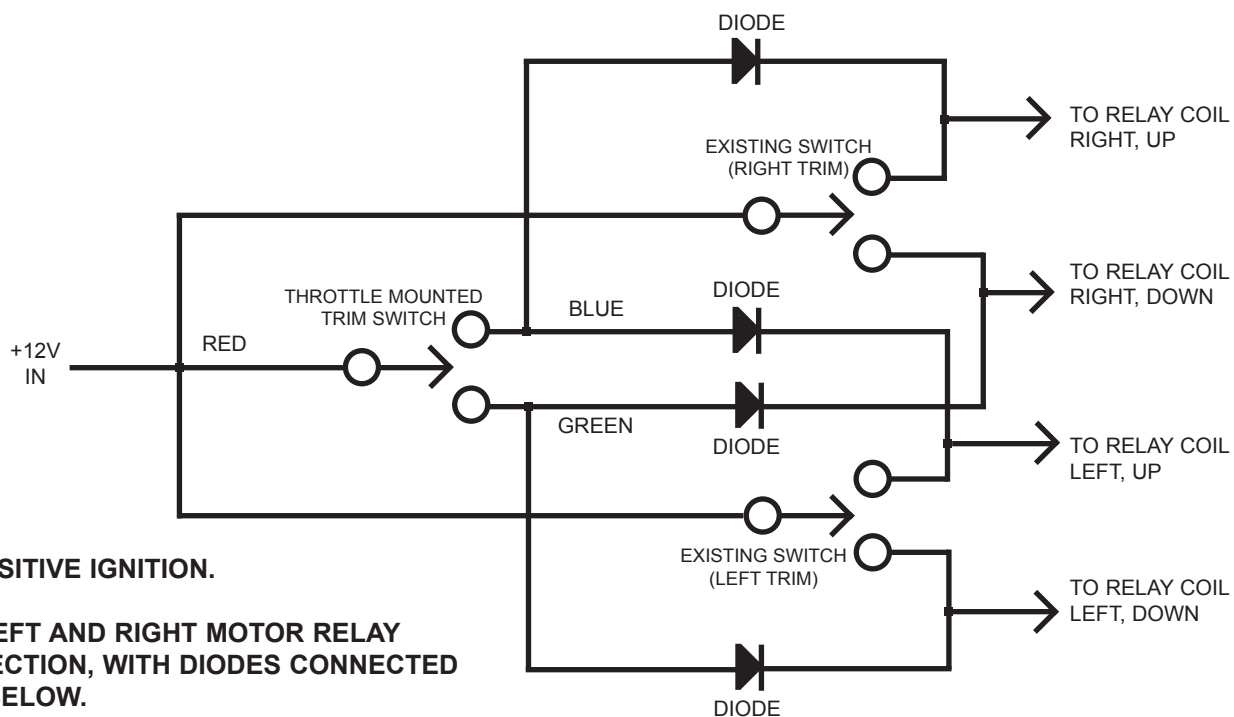




*The #1 Choice in  
Performance Boating!*

**DIODE KIT**  
Model # **DK**  
Installation Instructions



**RED WIRE TO POSITIVE IGNITION.**

**BLUE WIRE TO LEFT AND RIGHT MOTOR RELAY COIL, RAISE DIRECTION, WITH DIODES CONNECTED AS DESCRIBED BELOW.**

**GREEN WIRE TO LEFT AND RIGHT MOTOR RELAY COIL, LOWER DIRECTION, WITH DIODES CONNECTED AS DESCRIBED BELOW.**

**SOLDER DIODES IN LINE WITH WIRES, WHITE STRIPE ON DIODE SHOULD FACE AWAY FROM THROTTLE MOUNTED TRIM SWITCH**