

Hydraulic Trim Tabs

- These heavy duty hydraulic trim tabs meet the demand of boats operating at high speeds or in rough water conditions.
- For boats from 25 to 40 feet
- Tabs incorporate a hinge constructed of extruded aluminum with a 1/2" stainless steel pin to provide unmatched strength and reliability even with large jet pumps being activated.
- Tabs are fabricated from stainless steel and billet aluminum which are hard-coat anodized for years of corrosion free operation.
- Accommodates a 12°,16° or 90° transoms,
- 12V or 24V systems
- Performance Series tabs coming soon

Parts included in one kit:

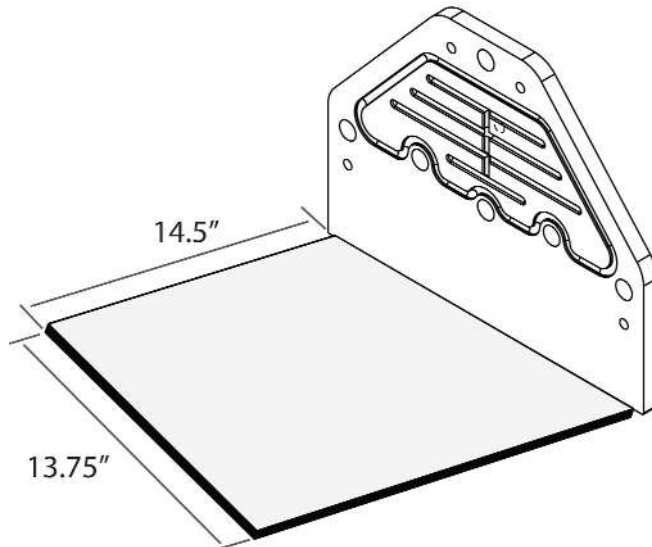
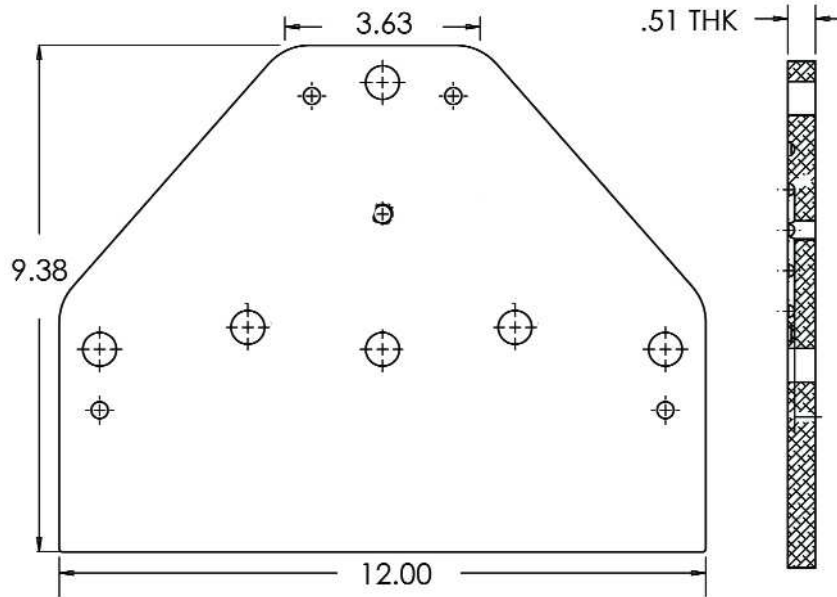
- (2) - Hydraulic Pumps
- (2) - Trim Tabs
- (1) - Mounting Kit for both trim tabs

Trim Tab Kits Description	Part Number
24 volt system	MTK24V
12 volt system	MTK12V



Hydraulic Trim Tabs

Mounting Plate Dimensions



Stainless Steel Hydraulic Lines

- Four lines needed for one trim tab kit, two per cylinder

Lines For Trim Tab Kits	
Hose Description	Hose Part Number
30 inch	SSBH30IN
34 inch	SSBH34IN
60 inch	SSBH60IN
90 inch	SSBH90IN
21 feet	SSBH21FT
26 feet	SSBH26FT



sold separately from tabs